

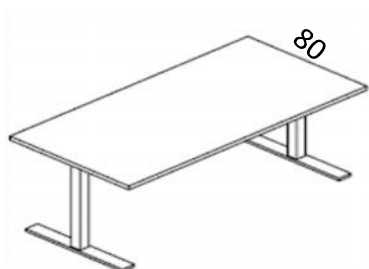
GLAM OPERATIVA

SCRIVANIE

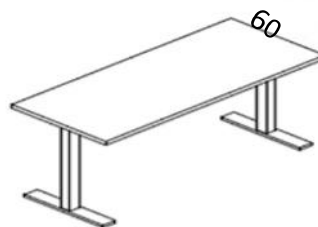
G1

STRUTTURE METALLICHE : GRIGIO LAVA O BIANCO OPACO

PIANO SPESSORE MM. 30 - FINITURE: ACERO - NOCE CANALETTO - BIANCO LUCE



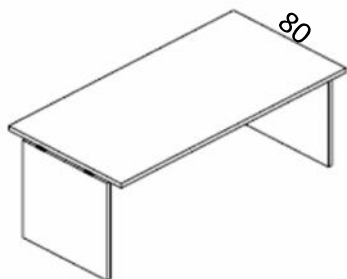
- 40.1293 mm 800x800x740H SGL 080
- 40.1294 mm 1000x800x740H. SGL 100
- 40.1295 mm 1200x800x740H. SGL 120
- 40.1296 mm 1400x800x740H. SGL 140
- 40.1297 mm 1600x800x740H. SGL 160
- 40.1298 mm 1800x800x740H. SGL 180



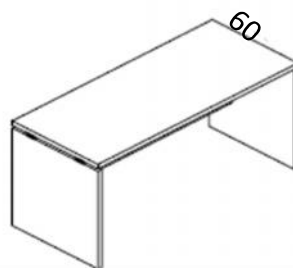
- 40.1299 mm 1200x600x740H PGL 120
- 40.1300 mm 1400x600x740H PGL 140
- 40.1301 mm 1600x600x740H PGL 160

G3

PIANO SPESSORE MM. 30 -



- 40.1311 mm 800x800x740H SLG 080
- 40.1312 mm 1000x800x740H. SLG 100
- 40.1313 mm 1200x800x740H. SLG 120
- 40.1314 mm 1400x800x740H. SLG 140
- 40.1315 mm 1600x800x740H. SLG 160
- 40.1316 mm 1800x800x740H. SLG 180



- 40.1317 mm 1200x600x740H PLG 120
- 40.1318 mm 1400x600x740H PLG 140
- 40.1319 mm 1600x600x740H PLG 160

SCHIENA IN LEGNO PER SCRIVANIA FINITURE: ACERO - NOCE CANALETTO - BIANCO LUCE

- 40.1356 mm 1100x300H - LLG 140 AL
- 40.1354 mm 1300x300H - LLG 160 AL
- 40.1355 mm 1500x300H - LLG 180 AL



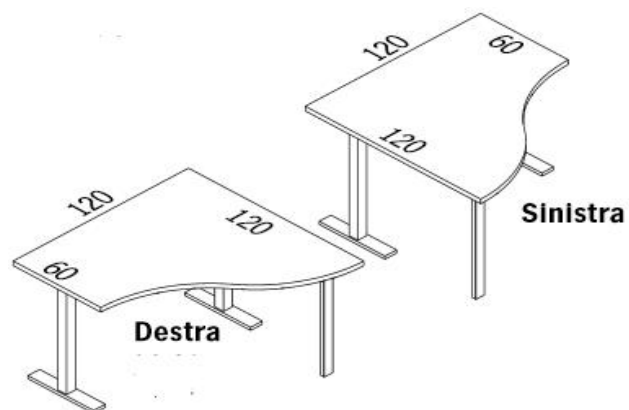
GLAM OPERATIVA

POSTI DI LAVORO

G1

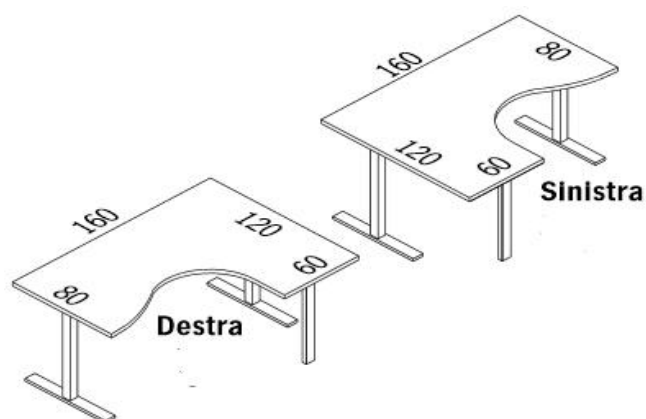
STRUTTURE METALLICHE : GRIGIO LAVA O BIANCO OPACO

PIANO SPESSORE MM 30 - FINITURE: ACERO - NOCE CANALETTO - BIANCO LUCE



40.1320 mm 1200 x 1200/600 x 740 H
WGL 126 DX

40.1321 mm 1200 x 1200/600 x 740 H
WGL 126 SX



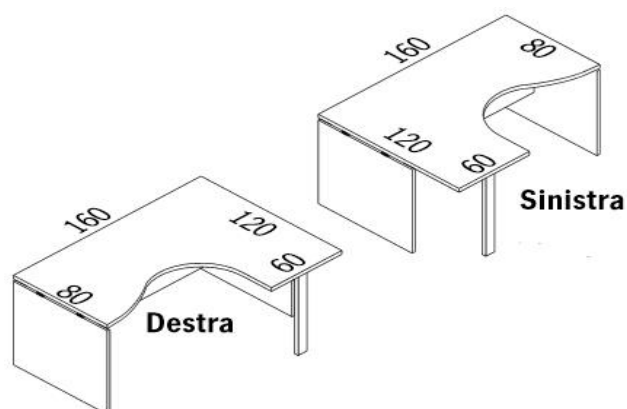
40.1322 mm 1600 x 1200 x 800/600 x 740 H
WGL 160 DX

40.1323 mm 1600 x 1200 x 800/600 x 740 H
WGL 160 SX

G3

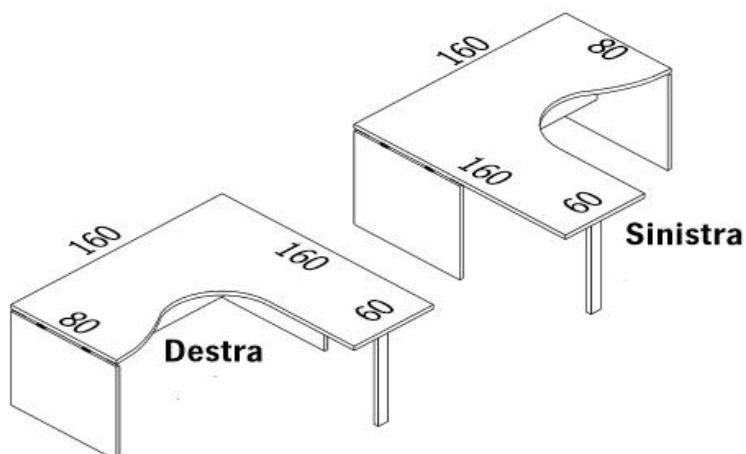
STRUTTURE: FINITURE: ACERO - NOCE CANALETTO - BIANCO LUCE

PIANO SPESSORE MM. 30



40.1328 mm 1600 x 1200 x 800/600 x 740 H
WGL 160 DX

40.1329 mm 1600 x 1200 x 800/600 x 740 H
WGL 160 SX



40.1330 mm 1600 x 1600 x 800/600 x 740 H
WGL 260 DX

40.1331 mm 1600 x 1200 x 800/600 x 740 H
WGL 160 SX